

PRODUCT INFORMATION PACKET



Model No: BN25V1
Catalog No: BN25V1
Pool Pump Motor, 1.0 HP, 1 Ph, 60 Hz, 115 V, 3600 RPM, 48Y Frame, ODP



Regal and Century are trademarks of Regal Rexnord Corporation or one of its affiliated companies.
©2022 Regal Rexnord Corporation, All Rights Reserved. MC017097E





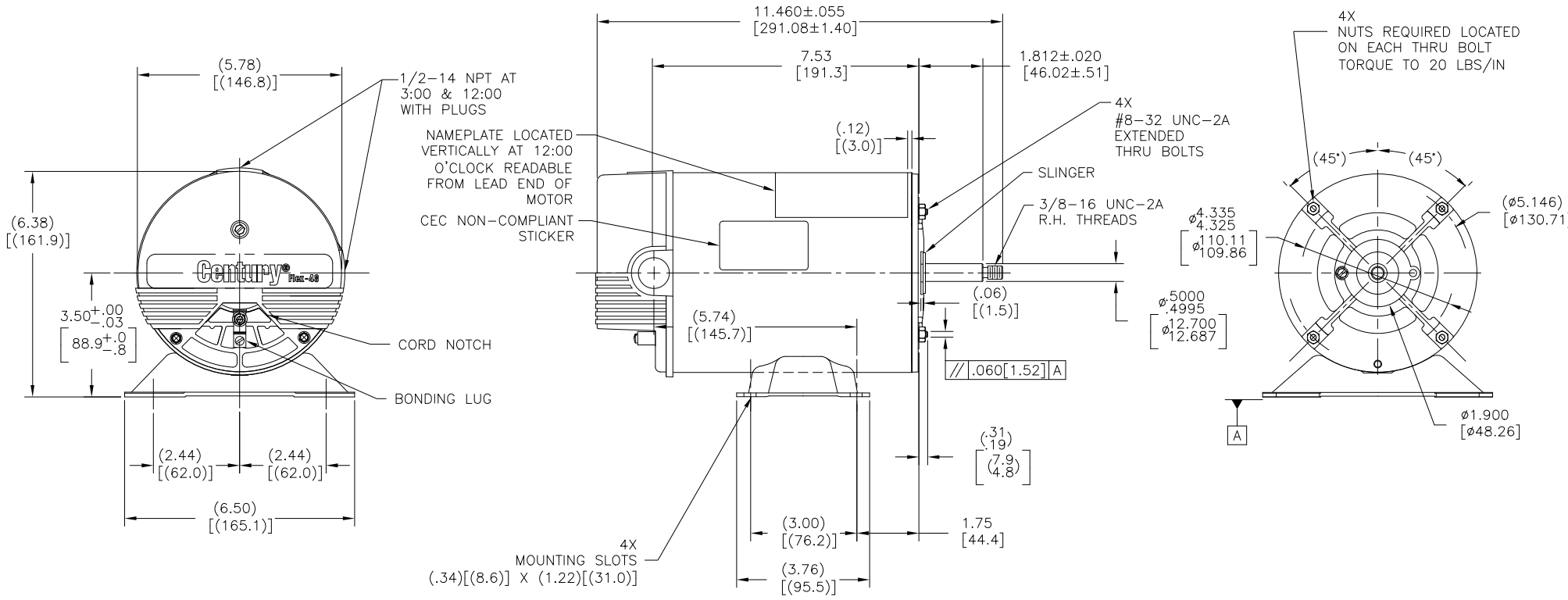
Nameplate Specifications

Output HP	1.0 Hp	Output KW	0.75 kW
Frequency	60 Hz	Voltage	115 V
Current	11.8 A	Speed	3450 rpm
Service Factor	1	Phase	1
Duty	Continuous	Insulation Class	B
Frame	48Y	Enclosure	Open Drip Proof
Thermal Protection	Thermally Protected	Ambient Temperature	50 °C
UL	Recognized	CSA	Y
Number of Speeds	1		

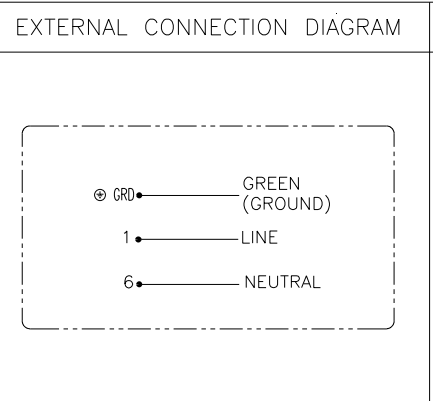
Technical Specifications

Electrical Type	Split Phase, Induction Run, Single Or Dual Voltage	Poles	2
Rotation	Counterclockwise Pump End	Mounting	Thru Bolt
Motor Orientation	Horizontal	Drive End Bearing	Ball
Opp Drive End Bearing	Ball	Frame Material	Rolled Steel
Shaft Type	3/8 THREADS	Overall Length	11.46 in
Frame Length	6.75 in	Shaft Diameter	0.500 in
Shaft Extension	2.372 in		
Outline Drawing	BN25V1-S01	Connection Drawing	D0000072-001

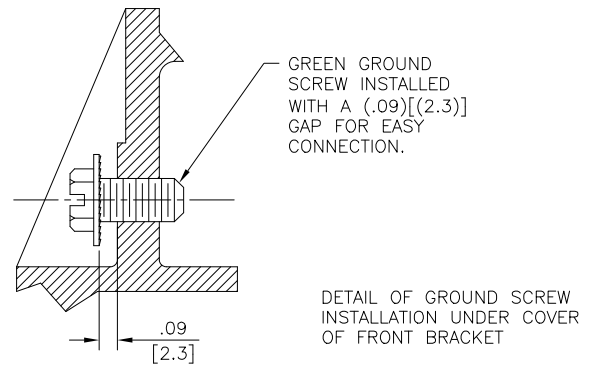
This is an uncontrolled document once printed or downloaded and is subject to change without notice. Date Created:11/28/2022



NAMEPLATE DATA	
MODEL: S48AA11A01	
CUST. PN: BN25V1	
HP: 1.0	SF: 1.0
ROT: CCWPE	
RPM: 3450	
TYPE: SP	CODE: L
FORM:	FRAME: 48Y
VOLTS: 115	
AMPS: SF 11.8	
MAX AMPS:	
SF AMPS:	
PH: 1	HZ: 60
INS: B	AMB: 50°C
DUTY: CONT	
ENCLOSURE: ODP	
THERMALLY PROTECTED	



- NOTES
1. LEAD END FRAME TO BE ORIENTED TO DRIVE END FRAME TO WITHIN ±2°.
 2. ALL DIMENSIONS SHOWN IN PARENTHESIS ARE REFERENCE DIMENSIONS.
 3. CTQ REQUIREMENT SEE EP000105-008
 4. RoHS & REACH REQUIREMENT SEE EP000014.



PERFORMANCE CURVE	APPROVED SAMPLE		
S48K2W25	0801390		
UL COMPONENT	CSA		
FILE#	CCN#	FILE#	GUIDE#
PENDING	PENDING	PENDING	PENDING
CUSTOMER	DISTRIBUTION		

CRITICAL TO QUALITY CHARACTERISTICS (CTQs)	DRAWING REVISION	REVISION BY	DATE	TOLERANCES UNLESS OTHERWISE SPECIFIED	DRAWN BY:	DATE:	DESCRIPTION
	ECO	HAIKUA ZHANG	04-09-2022				
P PROCESS	ECR-0216843	TRISTIA ZHAO	04-09-2022	.X ±0.1 [±3]	APPROVED BY:		MODEL - PFHP - 48FR
	SEE ECR			.XX ±0.02 [±0.5]			
E ENGINEERING				.XXX ±0.005 [±0.13]	DATE:		
A APPLICATION				.XXXX ±0.0005 [±0.013]	REFERENCE		
B REGULATORY				REMOVE BURRS & BREAK SHARP EDGES .003/.015 [.08/.38]	MATERIAL		
L LIFE				CORNER FILLETS .02 [5]	PROCESS/FINISH		
	<small>COPYRIGHT REGAL BELOIT AMERICA, INC. ALL RIGHTS RESERVED. PROPRIETARY AND CONFIDENTIAL INFORMATION - THIS DOCUMENT IS THE PROPERTY OF REGAL BELOIT AMERICA, INC. (OWNER) AND CONTAINS OWNER'S PROPRIETARY INFORMATION. ANY REPRODUCTION OR OTHER FIRM RECEIVING IT IS DENIED. BY RECEIVING IT, TO AGREE THAT IT, AND/OR ANY PART OF IT, SHALL NOT BE DISCLOSED TO ANY PERSON, CORPORATION OR OTHER ENTITY, DUPLICATED, AND/OR USED EXCEPT AS EXPRESSLY APPROVED IN WRITING IN ADVANCE BY OWNER. THIS DOCUMENT SHALL BE RETURNED TO OWNER UPON REQUEST. IT MAY BE SUBJECT TO CERTAIN RESTRICTIONS UNDER APPLICABLE EXPORT CONTROL LAWS AND REGULATIONS.</small>				THIRD ANGLE PROJECTION	SIZE DWG NO	BN25V1
				MACHINED SURFACES			SHEET 1

4

3

2

1

REV	ECO	REV BY	DATE	APPD	DATE
D	0021669	P.ZHU	07-18-2011	B.SHEN	07-18-2011

D

D

C

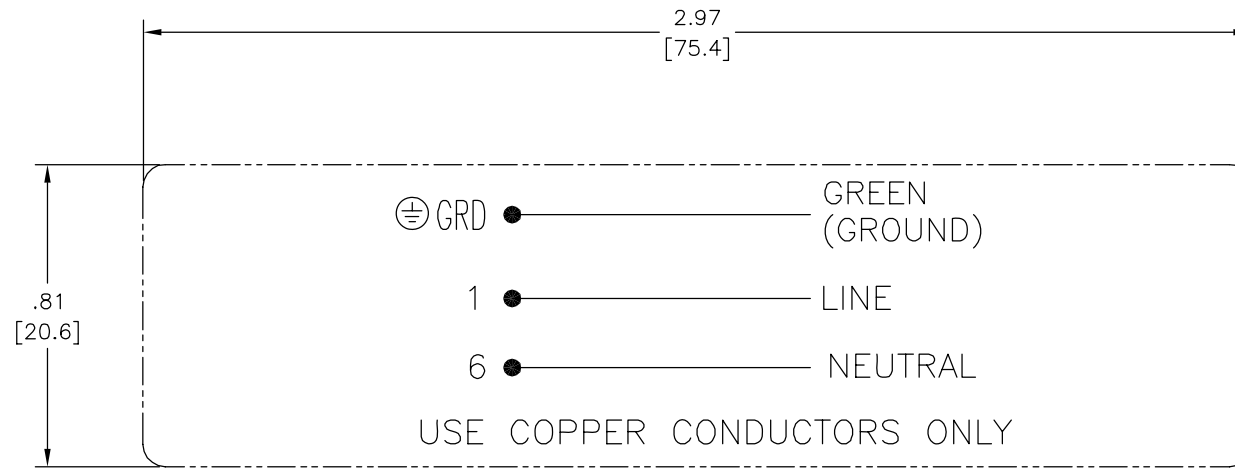
C

B

B

A

A



115 VOLT SINGLE SPEED

NOTE:

1. FOR USE WITH 616231 NAMEPLATE BLANK.
2. - - - - - INDICATES DIMENSIONAL LIMITS.
3. DIE MUST PRODUCE A LEGIBLE IMPRESSION.

GEOMETRIC CHARACTERISTICS & SYMBOLS

- ▭ FLATNESS
- STRAIGHTNESS
- ∠ ANGULARITY
- ⊥ PERPENDICULARITY (SQUARENESS)
- // PARALLELISM
- ROUNDNESS (CIRCULARITY)
- ⊘ CYLINDRICITY
- △ PROFILE OF ANY SURFACE
- ∩ PROFILE OF ANY LINE
- ⌒ RUNOUT
- ⊕ TRUE POSITION
- ◎ CONCENTRICITY
- ≡ SYMMETRY

UNLESS OTHERWISE SPECIFIED
DIM. TOLERANCES ARE AS FOLLOWS:

	X	XX	XXX	XXXX
INCH	±.1	±.02	±.005	±.0005
mm	±0.5	±0.13	±0.013	

ANG. ±.50 DEG
REMOVE BURRS & BREAK SHARP EDGES:
INCH .003-.015 mm 0.1-0.4
CORNER FILLETS TO:
INCH .020 mm 0.5
MACHINE SURFACES:
INCH 125 mm 3.2
METRIC DIMS. SHOWN IN [BRACKETS]

DR BY:	K.PALOMO	02-07-2011
APPD:	D.MUNOZ	02-07-2011
THIRD ANGLE PROJECTION		EDS DATE 02-22-2008 FORMAT REV F
CONFIDENTIAL: THIS DRAWING AND ITS INFORMATION ARE THE EXCLUSIVE AND CONFIDENTIAL PROPERTY OF A.O. SMITH CORP. AND ARE NOT TO BE DISCLOSED, DUPLICATED, DISTRIBUTED OR OTHERWISE USED WITHOUT THE WRITTEN CONSENT OF A.O. SMITH CORP. -ALL RIGHTS RESERVED. ASME Y14.5M 1994		



ELECTRICAL PRODUCTS COMPANY
A DIVISION OF A. O. SMITH CORPORATION

DESCRIPTION		CONNECTION DIAGRAM	
SIZE	C	DWG NO	D0000072-001
SCALE	NONE	SHEET	1

4

3

2

1

4

3

2

1

REVISION:	ECO	REVISADO POR:	FECHA:	APROBADO POR:	FECHA:
D	0021669	P.ZHU	07-18-2011	B.SHEN	07-18-2011

D

D

C

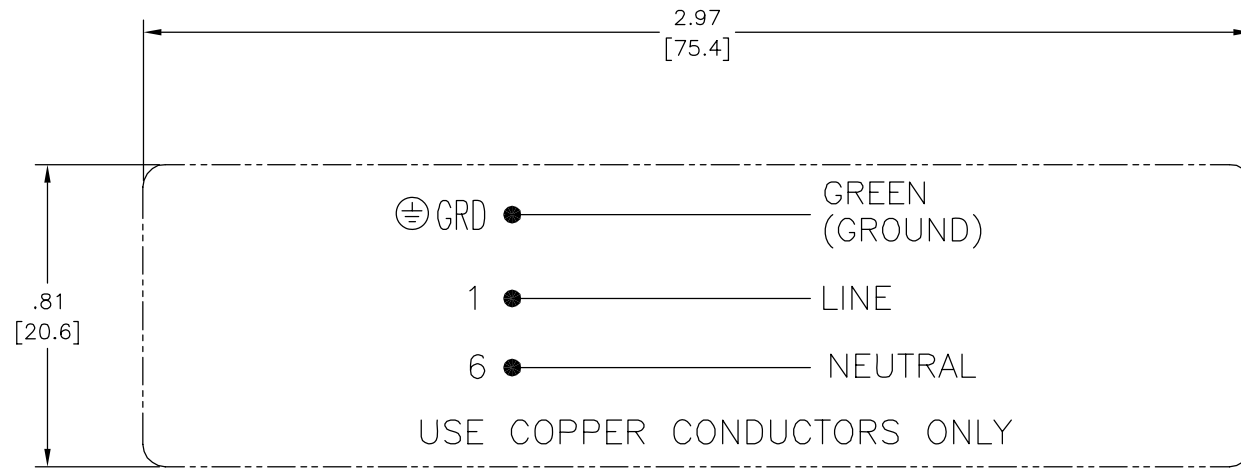
C

B

B

A

A



VELOCIDAD UNICA 115 VOLT

- NOTA:
1. PARA USAR CON PLACA DE DATOS EN BLANCO 616231
 2. - - - - - INDICA LOS LIMITES DIMENSIONALES.
 3. EL DADO DEBE PRODUCIR UNA IMPRESION DIE LEGIBLE.

CARACTERISTICAS DE GEOMETRIA Y SIMBOLOS ▽ PLANICIDAD — RECTITUD < ANGULARIDAD ⊥ PERPENDICULARIDAD (A ESCUADRA) // PARALELISMO ○ REDONDEZ (CIRCULARIDAD) ∅ CILINDRICIDAD △ PERFIL DE CUALQUIER SUPERFICIE ∩ PERFIL DE CUALQUIER LINEA / VARIACION ⊕ POSICION REAL ⊙ CONCENTRICIDAD = SIMETRIA	A MENOS QUE SE ESPECIFIQUE DE OTRA MANERA, LAS TOLERANCIAS DE LAS DIMS; SON LAS SIGUIENTES: PULG X XX XXX XXXX mm ±0.5 ±0.13 ±0.013 ANG. ±.50 GRADOS ELIMINAR REBABAS Y ORILLAS FILOSAS DEL BORDE. PULG .003-.015 mm 0.1-0.4 FILETEAR ESQUINA: PULG .020 mm 0.5 MAQUINAR SUPERFICIES PULG 125 mm 3.2 DIMS METRICAS MOSTRADAS [PARENTESIS]	DIBUJADO POR: K.PALOMO 02-07-2011 APROBADO POR: D.MUNOZ 02-07-2011 TERCER ANGULO DE PROYECCION CONFIDENCIAL: ESTE DIBUJO Y SU INFORMACION SON PROPIEDAD DE USO EXCLUSIVO Y CONFIDENCIAL DE A.O.SMITH CORP. Y NO DEBERAN SER REVELADOS, DUPLICADOS, DISTRIBUIDOS O USARSE DE OTRA MANERA SIN EL CONSENTIMIENTO ESCRITO DE A.O. SMITH CORP. -TODOS LOS DERECHOS RESERVADOS.ASME Y14.5M 1994	A.O.Smith Innovation has a name. ELECTRICAL PRODUCTS COMPANY A DIVISION OF A. O. SMITH CORPORATION DESCRIPCION: CONNECTION DIAGRAM TAMAÑO: C NUMERO DE DIBUJO: D0000072-001 ESCALA: NONE HOJA: 1	
	DIBUJADO POR: K.PALOMO 02-07-2011	APROBADO POR: D.MUNOZ 02-07-2011	FECHA EDS: 02-22-2008 REV. FORMATO: F	DESCRIPCION: CONNECTION DIAGRAM
	TERCER ANGULO DE PROYECCION	CONFIDENCIAL: ESTE DIBUJO Y SU INFORMACION SON PROPIEDAD DE USO EXCLUSIVO Y CONFIDENCIAL DE A.O.SMITH CORP. Y NO DEBERAN SER REVELADOS, DUPLICADOS, DISTRIBUIDOS O USARSE DE OTRA MANERA SIN EL CONSENTIMIENTO ESCRITO DE A.O. SMITH CORP. -TODOS LOS DERECHOS RESERVADOS.ASME Y14.5M 1994	TAMAÑO: C NUMERO DE DIBUJO: D0000072-001	ESCALA: NONE HOJA: 1
	DIBUJADO POR: K.PALOMO 02-07-2011	APROBADO POR: D.MUNOZ 02-07-2011	FECHA EDS: 02-22-2008 REV. FORMATO: F	DESCRIPCION: CONNECTION DIAGRAM

4

3

2

1

4

3

2

1

版本	ECO	编制	日期	批准	日期
D	0021669	P.ZHU	07-18-2011	B.SHEN	07-18-2011

D

D

C

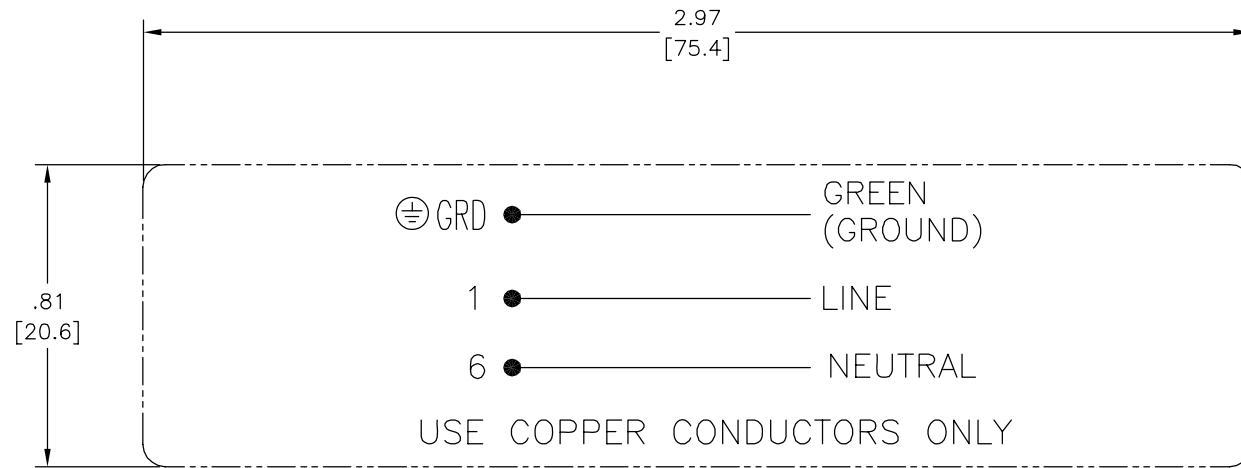
C

B

B

A

A



形位公差
□ 平面度
— 直线度
∠ 倾斜度
⊥ 垂直度
∥ 平行度
○ 圆度
⊙ 圆柱度
⊖ 内圆角
⊖ 面轮廓度
⊖ 线轮廓度
⊖ 圆跳动
⊕ 位置度
⊖ 同轴度
≡ 对称度

除另有注明 尺寸公差如下:
英寸 X XX XXX XXXX
毫米 ±0.1 ±0.02 ±0.005 ±0.0005
毫米 ±0.5 ±0.13 ±0.013
角度 ±.50 度
清理毛刺和尖棱
英寸 .003-.015 毫米 0.1-0.4
内圆角
英寸 .020 毫米 0.5
表面粗糙度
英制 125 米制 3.2
米制尺寸显示在 []

绘图:	K.PALOMO	02-07-2011
批准:	D.MUNOZ	02-07-2011
第三角投影		图纸格式发布日期 02-22-2008 图纸格式版本 F
机密: 本图纸及相关信息所有权归A. O. SMITH公司所有。 未经A. O. SMITH公司书面授权, 不得泄露、复制、传播或作 其他用途。一版权所有		
ASME Y14.5M 1994		

		ELECTRICAL PRODUCTS COMPANY <small>A DIVISION OF A. O. SMITH CORPORATION</small>	
名称 CONNECTION DIAGRAM			
图号	C	图号	D0000072-001
比例	NONE	页号	1

名称	CONNECTION DIAGRAM		
图号	C	图号	D0000072-001
比例	NONE	页号	1

4

3

2

1